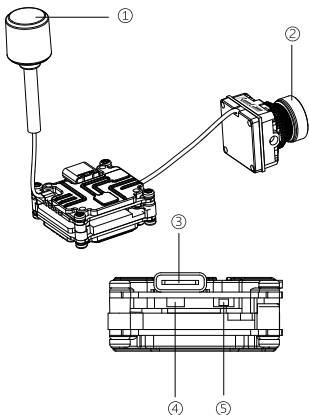


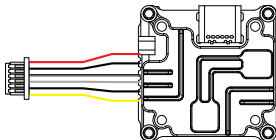
Introduction



- ① IPEX Ports Antenna
- ③ Type-C Port
- ⑤ Button

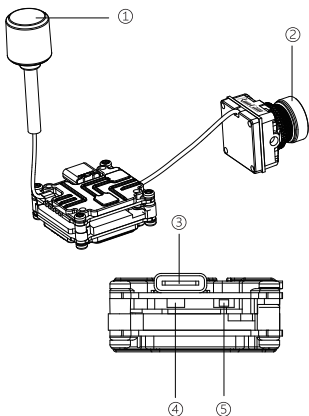
- ② Camera
- ④ LED

Connection

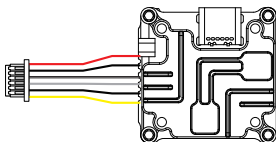


- RED:** Power (7.4-17.6 V)
- BLACK:** Power GND
- WHITE:** UART-RX (Connects to Flight Controller OSD TX, 0-3.3 V)
- GRAY:** UART-TX (Connects to Flight Controller OSD RX, 0-3.3 V)
- BLACK:** Signal GND
- YELLOW:** DJI HDL (Connects to Flight Controller S.Bus, 0-3.3 V)

指示图



安装连线



红: 电源 (7.4-17.6V)

黑: 电源 GND

白: UART-RX (接飞控 OSD TX, 0-3.3V)

灰: UART-TX (接飞控 OSD RX, 0-3.3V)

黑: 信号 GND

黄: DJI HDL (接飞控 S.Bus, 0-3.3V)